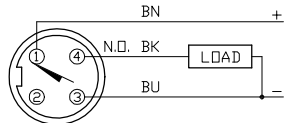
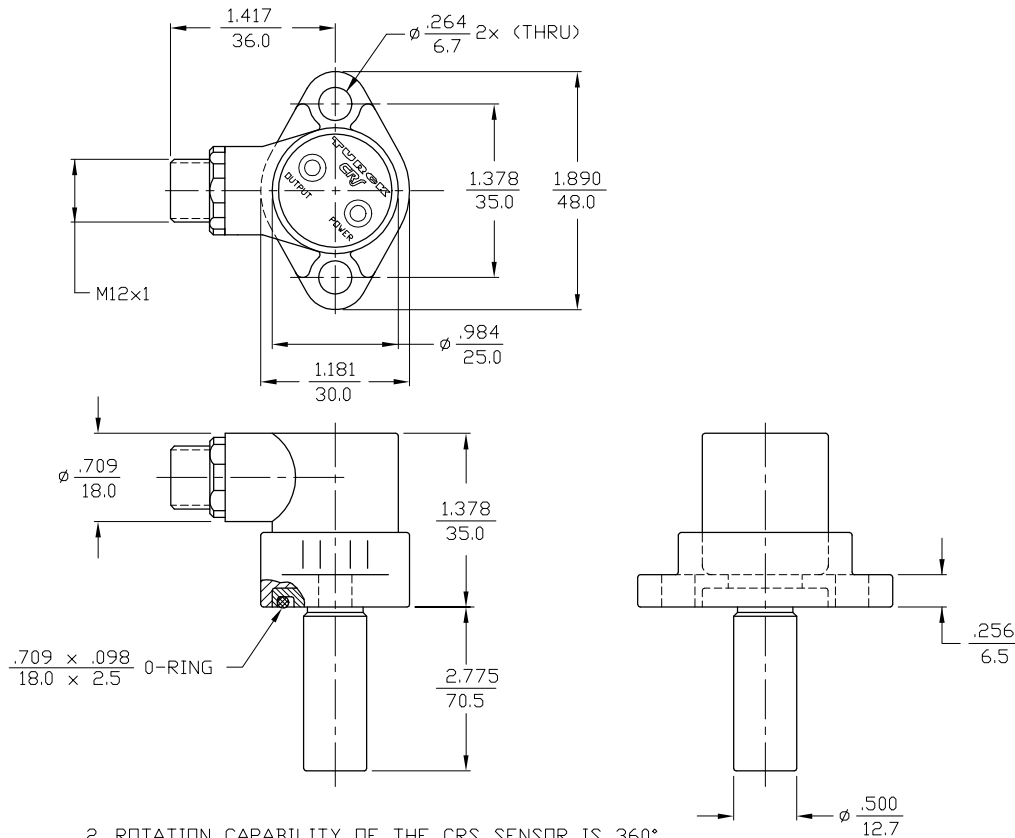


WIRING DIAGRAMS



OUTPUT: AP4X2

SHORT-CIRCUIT AND OVERLOAD PROTECTED



2. ROTATION CAPABILITY OF THE CRS SENSOR IS 360°.

NOTES: 1. "/S34" DESIGNATES WELD FIELD IMMUNITY. SENSOR IS SUITABLE FOR USE ON RESISTANCE WELDING MACHINES.

SPECIFICATIONS

|   |  |
|---|--|
| OPERATING VOLTAGE                       | 10-65 V DC (SHORT-CIRCUIT PROTECTED)                 |
| RIPPLE                                  | ≤10%   |
| HYSTERESIS (DIFFERENTIAL TRAVEL)        | 3-15% (5% TYPICAL)                                   |
| VOLTAGE DROP ACROSS CONDUCTING SENSOR   | 2.0 V at 200 mA (1.3 V TYPICAL)                      |
| OUTPUT FUNCTION                         | NORMALLY OPEN<br>3-WIRE DC SELF-CONTAINED            |
| TTL COMPATIBLE                          | NO   |
| SHORT-CIRCUIT PROTECTED                 | YES  |
| TRIGGER CURRENT FOR OVERLOAD PROTECTION | 250-350 mA   |
| CONTINUOUS LOAD CURRENT                 | ≤200 mA  |
| LEAKAGE CURRENT                         | <10 μA   |
| NO-LOAD CURRENT                         | 7.5 mA TYP. (24 V DC)<br>10.0 mA TYP. (65 V DC)      |
| POWER-ON EFFECT PROTECTION              | INCORPORATED   |
| POLARITY INVERSION PROTECTION           | INCORPORATED   |
| WIRE BREAK PROTECTION                   | INCORPORATED   |
| PROTECTION AGAINST TRANSIENTS           | <2 kV <1 ms <1 J                                     |
| OPERATING TEMPERATURE                   | -25°C to +75°C (-13°F to +167°F)                     |
| ENCLOSURE                               | MEETS NEMA 1, 3, 4, 6, 13 AND IEC IP67               |
| SHOCK                                   | ≤30 g, 11 ms   |
| VIBRATION                               | 10 Hz to 55 Hz, ≤1 mm AMPLITUDE<br>(IN ALL 3 PLANES) |
| LED FUNCTION                            | YELLOW: OUTPUT ENERGIZED<br>GREEN: POWER ON          |
| RATED OPERATING DISTANCE(Sn)            | 2 mm = .079" (NOMINAL)                               |
| SWITCHING FREQUENCY                     | 30 Hz (APPROX.)                                      |
| REPEATABILITY                           | <1%  |
| OPERATING PRESSURE                      | 1500 PSI (MAX. APPLIED 3000 PSI)                     |
| RESPONSE TIME                           | 15 ms MAX.   |
| SHIELDED                                | YES  |
| COLOR CODE                              | BROWN  |
| MATING PLUGS/CABLES                     | 4-PIN "EUROFAST" CONSTRUCTION                        |

|   |                      |                             |          |   |
|---|----------------------|-----------------------------|----------|---|
| MATERIAL                                    | 3RD ANGLE PROJECTION |                             |          | <b>TURCK INC</b><br>3000 CAMPUS DRIVE<br>MINNEAPOLIS, MN 55441<br>PHONE: (612) 553-7300 |
| FINISH                                      |                      |                             |          |   |
| DRFT GMB                                    | DATE 6/9/89          | PART NO./DESCR.             |          | REV B   |
| DSGN  | Y#                   | BI 2-CRS705-AP4X2-H1141/S34 |          |   |
| TMI   | SIZE B               | ID NO.                      | T4580089 |   |
| DIMENSION UNITS:<br>INCHES<br>[MILLIMETERS] |                      | SCALE NONE                  | T4580089 | SHEET OF  |

|           |                   |      |         |         |
|-----------|-------------------|------|---------|---------|
| B         | REMOVE TABULATION | CBM  | 8/27/01 | T4773   |
| REV       | DESCRIPTION       | DRFT | DATE    | ECO NO. |
| REVISIONS |                   |      |         |         |